

OWNER'S MANUAL

UMAREXUSA[®]

www.umarex-usa.com



Mod. CP 88

Mod. CP 88 Competition

CO₂ Air Pistol

cal. .177 (4.5 mm) Pellet

patented

⚠ WARNING: Not a toy. Adult supervision required. Misuse or careless use may cause serious injury or death. Model CP88 may be dangerous up to 400 yards (366 meters). Model CP88 Competition may be dangerous up to 450 yards (411 meters).

**YOU AND OTHERS WITH YOU SHOULD ALWAYS WEAR SHOOTING GLASSES TO PROTECT YOUR EYES. READ ALL INSTRUCTIONS BEFORE USING.
BUYER AND USER HAVE THE DUTY TO OBEY ALL LAWS ABOUT THE USE AND OWNERSHIP OF THIS AIRGUN.**

THIS AIRGUN IS INTENDED FOR USE BY THOSE 16 YEARS OF AGE OR OLDER.

8.416.802.U.05-06.?.18

⚠ WARNING: Lead pellets.
Do not inhale dust or put pellets in mouth.
Wash hands after handling. This product contains lead, a chemical known to the State of California to cause cancer and birth defects (or other reproductive harm).

Please read this owner's manual completely. This air pistol is not a toy. Treat it with the same respect you would a firearm. Always carefully follow the safety instructions found in this owner's manual and keep this manual in a safe place for future use.

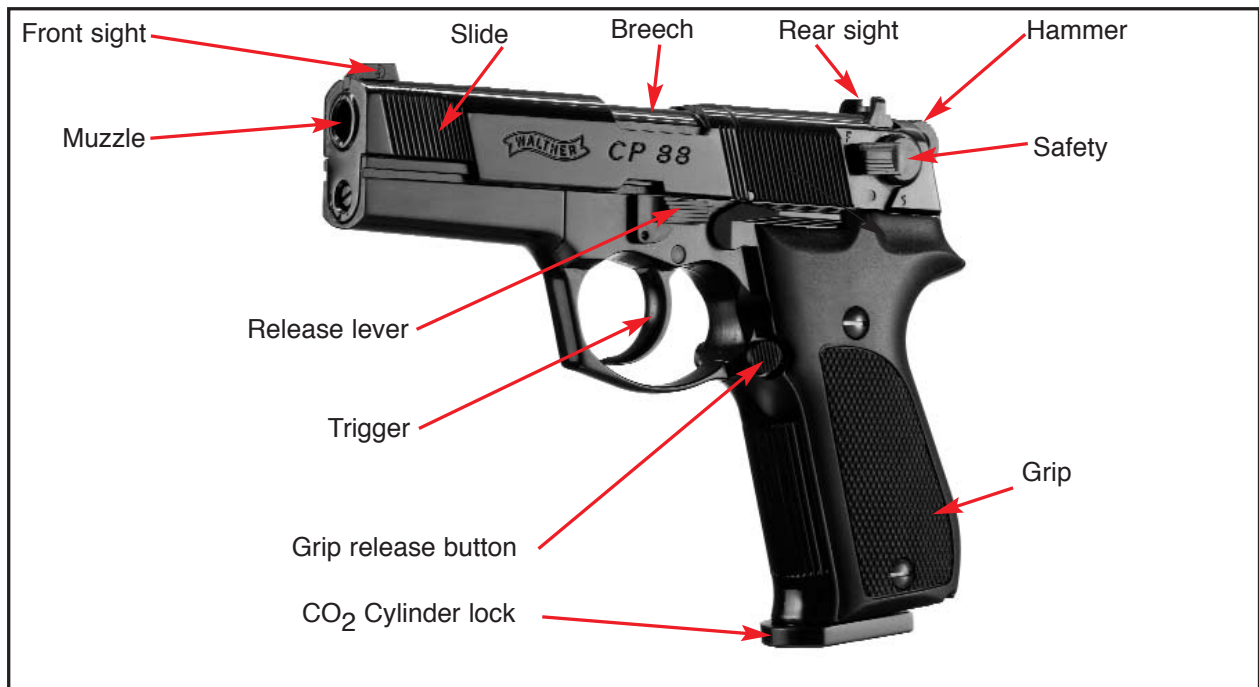
If you have any questions regarding your new air pistol, please contact Umarex USA Customer Service at

Umarex USA Inc.
6007 South 29th Street
Fort Smith, AR 72908 USA
Phone: (479) 646 - 4210
Fax: (479) 646 - 4206
www.umarex-usa.com

	Content	Page
1	Components of your new pistol	3
2	Operating the safety	4
3	Insertion and removal of the CO ₂ cartridge	5 - 6
4	Loading and unloading	7 - 8
5	Aiming and firing safely	9
6	Adjusting the sight	10
7	Removing a jammed pellet	11
8	Use and handling of CO ₂ cartridges	11 - 12
9	Storage	13
10	Care and maintenance	13
11	Reviewing safety	14
12	Technical data	15
13	Warranty	16
14	Problems	17
	Contact	18

1. Learning the Parts of Your New Air Pistol

Learning the names of the parts of your new air pistol will help you to understand your owner's manual. Use this manual to increase your enjoyment of this air pistol.



2. Operating the Safety

▲ WARNING: Keep the air pistol in the "ON SAFE" position until you are actually ready to shoot. Then push the safety to the "OFF SAFE" position.

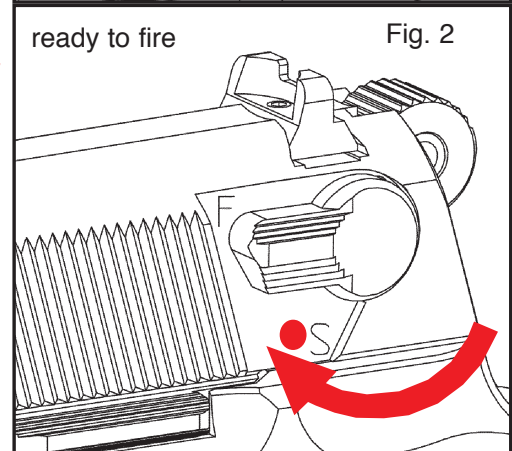
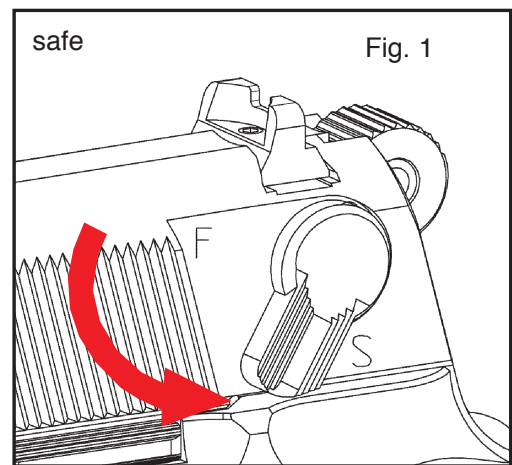
A. To Put the Air pistol "ON SAFE:"

- Locate the safety directly under the rear sight (Fig. 1).
- Move the safety lever to the lower position (S) to cover the RED indicator as shown. **The safety is not "On Safe" unless the RED indicator near the safety is not showing. The air pistol will not fire when "On Safe".**

Even when the safety is "On Safe", you should continue to handle the air pistol safely. Do not ever point the air pistol at any person. Do not ever point the air pistol at anything you do not intend to shoot.

B. To Take the Air Pistol "OFF SAFE":

- Push the safety up exposing the RED indicator as shown in Figure 2.
- The air pistol is ready to fire when "Off Safe". **When you can see the RED indicator near the safety, the air pistol is "Off Safe" and can be fired.**



3. Insertion and removal of the CO₂ cartridge

⚠ WARNING: CO₂ cartridges may explode at temperatures above 120°F (48.9°C). Do not mutilate or incinerate them. Do not expose them to heat or store CO₂ cartridges at temperatures above 120°F (48.9°C).

⚠ WARNING: Keep hands and face away from escaping CO₂ gas. It can cause frostbite if allowed to come in contact with skin.

NOTE: We recommend the use of Umarex CO₂ cartridges.

They are made to fit your air pistol. Other brands of CO₂ cartridges may not fit properly and if you force them into place it may result in injury to you or damage to your air pistol. Never try to force any CO₂ cartridge into or out of place. Do not store your air pistol with a CO₂ cartridge in it. (This is very important to remember, as it will prolong the longevity of your air pistol seals.) If you know you will not be using your air pistol again within 24 hours, remove the CO₂ cartridge from the air pistol, as explained in **Step 3B** below.

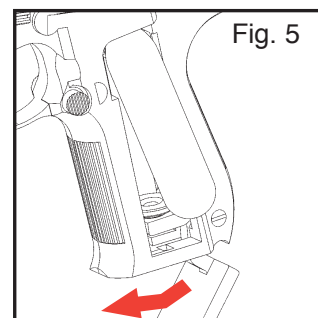
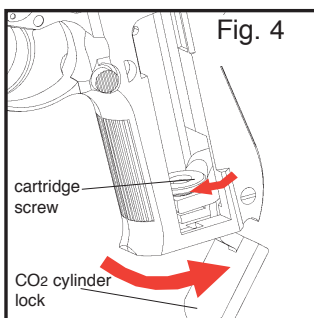
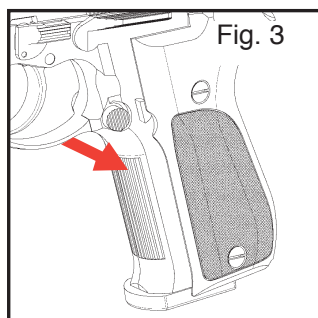
A. Inserting the CO₂ cartridge

- Make sure the air pistol is "On Safe" (See **Step 2A**).
- Push the grip release button on the right side to remove the grip. (see Fig.3) Swing the CO₂ cylinder lock downward and loosen the cylinder screw by turning it clockwise. (Fig.4)
- Insert a new CO₂ cartridge into the air pistol with the small neck of the cartridge pointing up toward the piercing assembly.
- Tighten the cylinder screw by turning it counterclockwise until it gently moves the CO₂ cartridge up into position. Do not over tighten it as this could damage the cartridge seal.
- Close the cylinder lock by swinging it upward. This will pierce the CO₂ cartridge.(Fig 5)
- Carefully press the grip cover back into place.

- Point the air pistol in a SAFE DIRECTION, take "Off Safe" (See **Step 2B**) and pull the trigger. **If the air pistol does not make a popping noise after pulling the trigger, the CO₂ is not being discharged.** In that event, you will have to remove the grip, swing the cylinder lock downward and tighten the cylinder screw a little more by turning it counterclockwise. Then close the cylinder lock, replace the grip and test it again. Once there is a popping noise, the air pistol is releasing CO₂ with each pull of the trigger. Return the safety to the "On Safe" position (See **Step 2A**).

B. Removing the CO₂ Cartridge

- Put the air pistol "On Safe" (See **Step 2A**).
- Make sure the air pistol is unloaded (See **Step 4B**).
- Point the air pistol in a SAFE DIRECTION.
- Swing the CO₂ cylinder lock downward carefully to allow any remaining CO₂ gas to escape. (See Fig. 4)
Important: Be sure to keep your hands and face away from escaping CO₂. Loosen the cylinder screw by turning it clockwise until it stops.
- Push the grip release button on the right side to remove the left grip. (see Fig.3)
- Remove the empty CO₂ cartridge by turning the air pistol over and shaking it to let the CO₂ cartridge fall out. The CO₂ cartridge may be cold. Avoid prolonged contact with the CO₂ cartridge if it is very cold.
- Close the cylinder lock by swinging it upward (Fig. 5). Carefully press the right grip cover back into place.



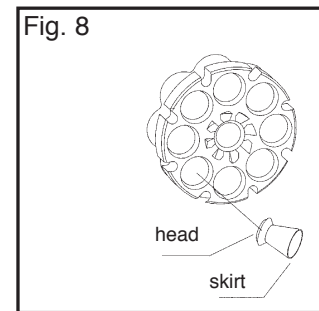
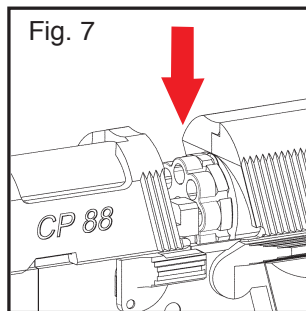
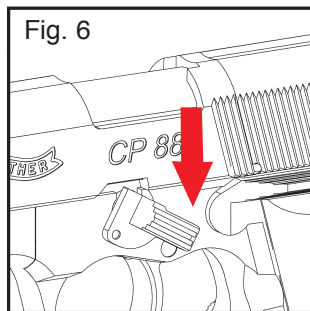
4. Loading and Unloading

⚠ WARNING: Use only .177 (4.5mm) caliber [diabolo] pellets in your Model CP88 or CP88 Competition. Use of any other ammunition can cause injury to you or damage to the air pistol. Never reuse pellets.

⚠ WARNING: Do not place your hand or fingers over the muzzle. When opening or closing the slide make sure your air pistol is pointing in a SAFE DIRECTION, and keep your finger off the trigger. Failure to follow these warnings may cause serious injury.

A. Loading

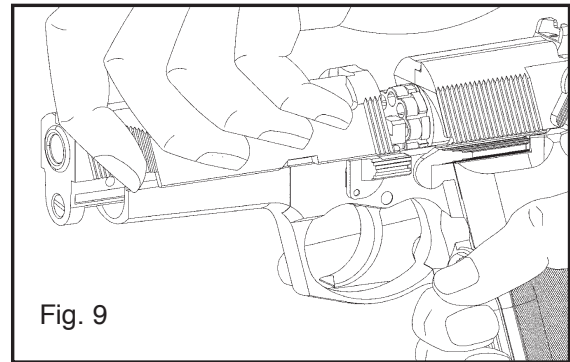
- Make sure the air pistol is "On Safe." (See **Step 2A**)
- Point the air pistol in a SAFE DIRECTION. Hold the pistol as shown in Figure 6 to keep the pellet clip in place and prevent it from falling out of the pistol.
- Open the slide by pushing the release lever downward to the position shown in Figure 6. When the slide moves forward slightly, push the release lever upward until the slide moves forward to expose the pellet clip. (see Fig. 7).



- Remove the pellet clip and load the pellets head first (see Fig. 8) into the clip insuring that each pellet is completely inserted.

IMPORTANT: To avoid jams or deforming the pellets, make sure the pellet skirt is level or slightly below the rim of the pellet chamber.

- Place the pellet clip back in the pistol with the ratchet teeth facing rearward. (see Fig. 7)
- Grip the slide from the top (see Fig. 9) and move it rearward to the closed position.
- **IMPORTANT: Never put any part of your hand over the muzzle; grip only the top and sides of the slide.**
- The release lever must be in the horizontal position to lock the slide closed.



B. Unloading the Pellets

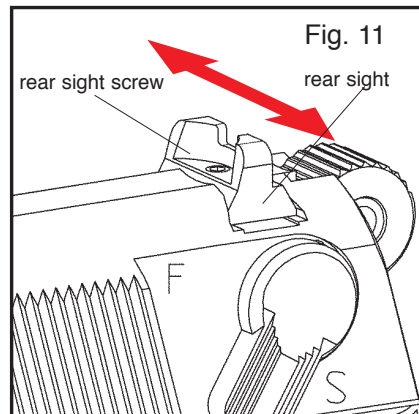
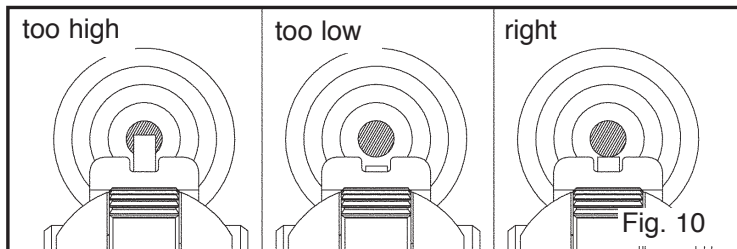
- Put air pistol "On Safe" (See **Step 2A**). Point the air pistol in a SAFE DIRECTION.
- If necessary, de-cock the air pistol by placing your thumb on the hammer and pulling the trigger as you slowly guide the hammer back into the upward position, then release the trigger.
- Open the slide by pushing the release lever downward to the position shown in Figure 6. When the slide moves forward slightly, push the release lever upward until the slide moves forward to expose the pellet clip.
- Remove the pellet clip. Using a ramrod, gently push each pellet out of the pellet chamber.
IMPORTANT: Never use sharp metal tools to remove pellets.
- Replace the empty pellet clip with the ratchet teeth facing rearward. (See Fig. 7).
- Grip the slide from the top and move it rearward to the closed position.
- **IMPORTANT: Never put any part of your hand over the muzzle; grip only the top and sides of the slide.**
- The release lever must be in the horizontal position to lock the slide closed.
- Check to make sure the barrel is completely unloaded. Point the muzzle in a SAFE DIRECTION, take "Off Safe," (see **Step 2B**) cock the hammer and squeeze the trigger to fire.
- You may also unload your air pistol by following the directions listed under **Step 7 - Removing a Jammed Pellet.**

5. Aiming and Firing Safely

- You and others with you should always wear shooting glasses to protect your eyes.
- Always aim your air pistol in a SAFE DIRECTION. When you are sure of your target and backstop, and the area around the target is clear, take the air pistol "Off Safe" (See **Step 2B**).
- This air pistol will function in either "Double Action" or "Single Action" mode. To fire in "Double Action", apply steady pressure to the trigger until the pistol fires. "Single Action" mode means that the hammer has to be manually cocked prior to firing. To use "Single Action" mode, pull back the hammer and squeeze the trigger. For rapid-fire shooting, we recommend the "Double Action" mode, for more precise shooting we recommend the, "Single Action" mode. To de-cock the hammer, put the air pistol "On Safe," point the air pistol in a SAFE DIRECTION, place your thumb on the hammer and pull the trigger as you slowly guide the hammer back into the upward position, then release the trigger.
- Do not shoot at hard surfaces or at the surface of water. The pellet may bounce off or ricochet and hit someone or something you had not intended to hit.
- Always choose your target carefully. It is best to shoot at paper bullseye targets which are attached to a safe backstop. A heavy blanket should be hung behind the backstop to prevent ricochet should you miss the backstop.
- Your backstop should be checked for wear before and after each use. Replace your backstop if the surface is worn or damaged or if a ricochet occurs.
- Your air pistol is designed for target shooting and is suited for both indoor and outdoor use. Always remember to place your target carefully. THINK about what you will hit if you miss the target.
- The air pistol is correctly aimed when the front sight blade is positioned exactly in the notch of the rear sight. The top of the front sight blade should be even with the top of the notch in the rear sight. The bullseye should appear to rest on the top of the front sight (Fig. 10).

6. Adjusting the sight

Standard Windage Adjustment: Use a hex wrench to turn the rear sight screw counterclockwise to loosen the sight. (see Fig. 11) Move the rear sight in the same direction you want the pellet to hit on the target. Tighten the screw clockwise to lock the readjusted sight into place.



7. Removing a jammed pellet

IMPORTANT: The fact that the air pistol does not fire a projectile is never a reason to assume that the air-gun is not loaded. Make sure that there is no pellet jammed between the pellet clip and the barrel.

- Follow the instructions under Step 4B -Unloading the Pellets.
- If the jam is in the barrel, remove the pellet clip (See **Step 4B**) insert a ramrod of the proper size into the muzzle end of the barrel and carefully push the jammed pellet into the breech. **The barrel could be damaged if the proper sized ramrod is not used.**
- Once you have pushed the pellet back into the breech, shake the air pistol until the jammed pellet falls out. Do not try to reuse that pellet.
- If you are not able to unjam your air pistol by following the unloading procedure, take no further action. Umarex USA or an Authorized Service Station will unjam your air pistol (no cost during the warranty period).

8. Use and handling of CO₂ cartridges

It is possible that certain conditions may affect a CO₂ pistol, which can impact its proper performance. These conditions include the usage, maintenance, and storage at certain temperatures that are higher or lower than normal outdoors temperatures (from 59°F / 15°C to 69.8°F / 21°C). Another condition may be when the gun is shot at fast speeds.

1. High temperatures can increase pressure in the CO₂ cartridge and also within the gun, leading to higher than standard operating pressure. This excess pressure could cause the gun to malfunction or be permanently damaged. Maximum storage or operation temperature should never exceed 122°F (50°C). This temperature can be reached if you leave the gun under direct sunlight on a bright day. Thus, to ensure proper gun operation, do not expose it to high temperatures or direct sunlight for long periods of time. Otherwise, the CO₂ cartridge could overheat and explode, which could damage the weapon and cause injuries or death to people around it.
2. Fast consecutive shooting may produce a decrease of temperature in the gun, as well as the CO₂ cartridge. This could lead to a lower muzzle speed, uneven gas pressure.
3. Keep in mind that during a rapid-fire sequence, the muzzle speed will diminish with each shot, which may negatively affect the power of the shot.
4. Try not to shoot the weapon with a CO₂ cartridge that has already lost a considerable portion of its pressure. Here are some indicators of insufficient CO₂ cartridge pressure:
 - A) The sound of the shot is not as loud as when the cartridge is full.
 - B) The ammunition hits the target, but in a lower position than it would with a full CO₂ cartridge (that is, the shooting speed has dropped).

⚠ WARNING: Shooting with low CO₂ pressure can cause a pellet to get jammed in the barrel. Bear in mind the indications for jams.

⚠ WARNING: A jam is a dangerous situation.

9. Storage

⚠ WARNING: Never leave the air gun loaded.

Always store the air gun with the ammunition removed and the safety on. Carefully check that there is no ammunition in the barrel and remove the pellets from the pellet clip. Before storing it, we recommend to also remove the CO₂ cartridges. **Keep the air gun out of the reach** of children and users not familiarized with its use. Store the air gun separately from the pellets and the CO₂ cartridges.

10. Care and maintenance

⚠ WARNING: Before you attempt to clean your air pistol, always make sure it is "On Safe" (see **Step 2A**), the pellet clip is removed and you have checked the barrel to make sure there are no pellets left in it.

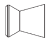
IMPORTANT: Before you attempt to oil your air pistol, always make sure the CO₂ cylinder and pellet clip are removed and you have checked the barrel to make sure there are no pellets left in it (See **Steps 3B & 4B**).

- Your air pistol will maintain proper function for a long time if you oil the CO₂ cylinder lock hinge, slide and pellet clip release lever with 2-3 drops of lubricating oil after you have fired approximately 250 shots. DO NOT use a petroleum distillate based oil or solvent and DO NOT over-oil because this can cause damage to your air pistol.
- Your air pistol will work best if you put just a drop of oil directly on the tip of the CO₂ Cartridge before inserting. DO NOT use a petroleum distillate based oil or solvent and DO NOT over -oil as this can cause damage to your air pistol.
- Tampering with the air pistol or attempts to change the air pistol in any way may make it unsafe to use and will void the warranty.
- If you drop your air pistol, check to see that it works properly before you use it again. If anything seems changed, like a shorter or weaker trigger pull, this may mean worn out or broken parts. **Call Customer Service at Umarex USA for assistance before using your air pistol again.**

11. Safety review

- Do not ever point the air pistol at any person. Do not ever point the air pistol at anything you do not intend to shoot.
- Always treat the air pistol as though it is loaded and with the same respect, you would a firearm.
- Always keep the muzzle of the air pistol pointed in a SAFE DIRECTION. NEVER put any part of your hand over the muzzle.
- Always keep the air pistol "On Safe" until you are ready to shoot in a SAFE DIRECTION.
- Always check to see if the air pistol is "On Safe" and unloaded when getting it from another person or from storage.
- Always keep your finger off the trigger and out of the trigger guard until ready to shoot.
- You and others with you should always wear shooting glasses to protect your eyes.
- Keep hands and face away from escaping CO₂ gas. It can cause frostbite if allowed to come in contact with skin.
- Use .177 caliber (4.5 mm) pellets only. Never reuse pellets.
- Do not shoot at hard surfaces or at the surface of water. The pellet may bounce off or ricochet and hit someone or something you had not intended to hit.
- Replace the backstop if it becomes worn. Place the backstop in a location that will be safe should the backstop fail.
- Do not attempt to disassemble or tamper with your air pistol. Use an Authorized Service Station or return it to the factory for repair.
- Do not put the air pistol away loaded or charged with CO₂. Make sure **ALL** of the pellets are unloaded from the air pistol. (See **Step 3B and 4B**).

12. Technical data

Mechanism:		CO ₂ Pistol	
Caliber/Ammunition:		.177 cal. (4.5 mm) Lead Airgun Pellet	
Weight:	CP 88:	37 oz. (1.040 kg)	
	CP 88 Competition:	41 oz. (1.150 kg)	
Length:	CP 88:	7 in. (18.0 cm)	
	CP 88 Competition:	9 in. (23.0 cm)	
Barrel length:	CP 88:	4 in. (9.09 cm)	
	CP 88 Competition:	6 in. (14.31 cm)	
Barrel:		Rifled Steel	
Sights:			
	Rear:	CP 88: (Standard):	Adjustable for Windage
		CP 88 Competition	Adjustable for Windage
	Front:		Fixed
Power Source:			12 gram CO ₂ cartridge
Safety:			Hammer block safety, drop safety
Velocity:	CP 88:	Up to 393 fps (120 m/s)	
	CP 88 Competition:	Up to 426 fps (130 m/s)	

PERFORMANCE

Many factors affect velocity, including brand of projectile, type of projectile, amount of CO₂ in cartridge, lubrication, barrel condition and temperature.

REPAIR SERVICE

If your air pistol needs repair, we recommend that you take or send it to an Authorized Service Station or Umarex USA. **For an Authorized Service Station near you, visit our web site at www.umarex-usa.com or call Customer Service at (479) 646 - 4210. International customers should contact their distributors.** DO NOT ATTEMPT TO DISASSEMBLE IT! Your air pistol requires special tools and fixtures to repair it. If you take it apart, you probably will not be able to reassemble it correctly. Umarex USA assumes no warranty responsibility under such circumstances.

13. WARRANTY

This product is warranted to the retail consumer for one year from date of retail purchase against defects in material and workmanship and is transferable. To register the serial number, located on the barrel of your gun, please return the Product Registration form found in your owner's manual packet. The warranty is not conditioned on the return of the card.

WHAT IS COVERED

Replacement parts and labor. Transportation charges to consumer for repaired product.

WHAT IS NOT COVERED

Transportation charges to Umarex USA or an Authorized Service Station for defective product. Damages caused by abuse or failure to perform normal maintenance. Any other expense. CONSEQUENTIAL DAMAGES, INCIDENTAL DAMAGES, OR INCIDENTAL EXPENSES, INCLUDING DAMAGE TO PROPERTY. SOME STATES DO NOT ALLOW THE EXCLUSION OR LIMITATION OF INCIDENTAL OR CONSEQUENTIAL DAMAGES, SO THE ABOVE LIMITATION OR EXCLUSION MAY NOT APPLY TO YOU.

WARRANTY CLAIMS

Warranty Claims for U.S. and Canadian Customers:

Please return product to your nearest distributor. If you do not know your distributor, please visit www.umarex-usa.com and click on "warranty and repair service" or call (479) 646 - 4210 and ask for our assistance.

IMPLIED WARRANTIES

ANY IMPLIED WARRANTIES, INCLUDING THE IMPLIED WARRANTIES OF MERCHANTABILITY AND FITNESS FOR A PARTICULAR PURPOSE, ARE LIMITED IN DURATION TO ONE YEAR FROM DATE OF RETAIL PURCHASE. SOME STATES DO NOT ALLOW LIMITATIONS ON HOW LONG AN IMPLIED WARRANTY LASTS, SO THE ABOVE LIMITATIONS MAY NOT APPLY TO YOU.

To the extent any provision of this warranty is prohibited by federal, state, or municipal law which cannot be preempted, it shall not be applicable. This warranty gives you specific legal rights, and you may also have other rights which vary from state to state and country to country.

15.Problems

Problems	POSSIBLE REASONS	safety activated	CO ₂ -cartridge empty	dirty barrel	CO ₂ -cartridge is defective	extreme temperatures	incorrect pellets	pellets loaded incorrectly	slide is not properly closed and locked	incorrect sight adjustment
Bad shooting performance		●	●		●	●	●		●	
Gun does not function	●	●		●		●	●	●		
Low pellet velocity		●	●		●	●	●			